

THESIS

TH 1.5 violino

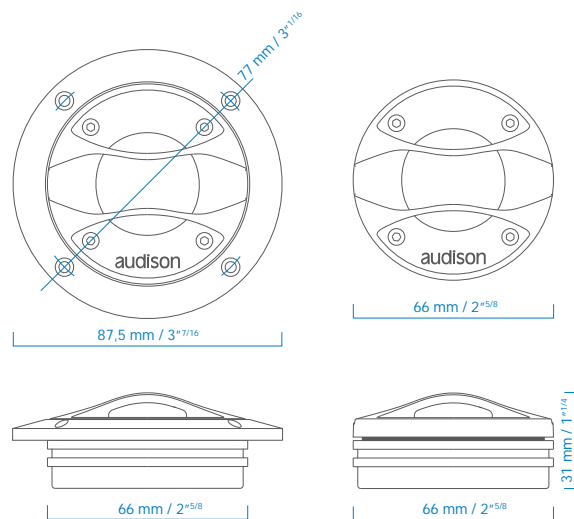
TWEETER 180 W



ideato,
 progettato,
 costruito
 in Italia

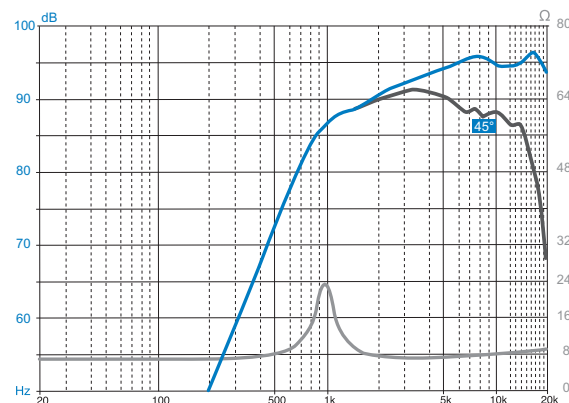
Technical Specifications

Component	Tweeter	
Size	mm	34 (1"1/2)
Power Handling	W peak	180
	W continuous	Hi-pass Filtered 1.8 kHz @ 12 dB Oct.
Impedance	Ω	8
Frequency response	Hz	1k ÷ 22k
Sensitivity	dB/SPL	94
Outer Ø	mm	87,5
Mounting Ø	mm	66
Total depth	mm	31
Mount. depth	mm	16
Magnet size	mm	60
Weight of one speaker	kg	0,33
Voice coil Ø	mm	34



Electro-Acoustic Parameters

D	mm	35
Xmax	mm	-
Re	Ω	6
Fs	Hz	980
Le	mH@1kHz	3,43
Le	mH@10kHz	0,07
Vas	l	0,01
Mms	g	0,5
Cms	mm/N	0,05
BL	T-m	3,61
Qts		1,06
Qes		1,45
Qms		3,90
Spl (1m/2,83V)	dB	94



For detailed technical information and more product features, view the Advanced Manual available for download on the website www.audison.eu